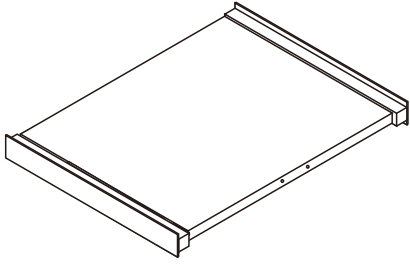


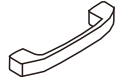
Assembly Instructions

A



x1

B



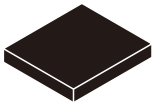
x1

C



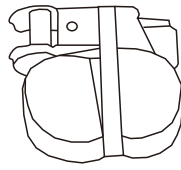
x2

D



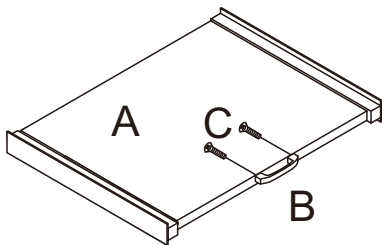
x8

E

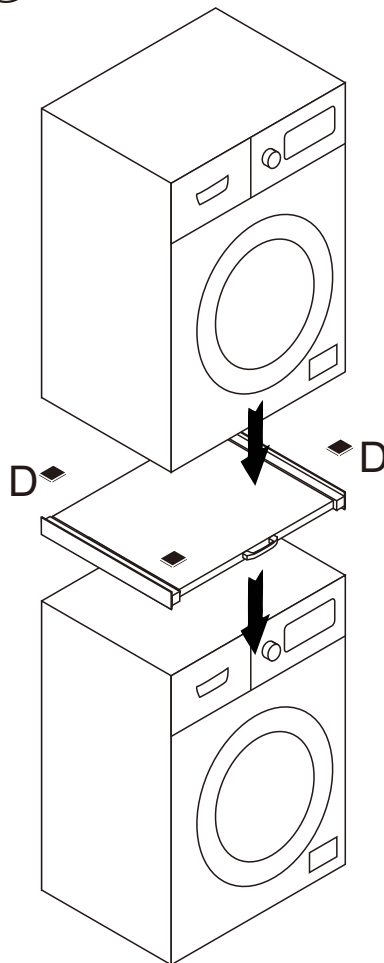


x1

①



②



③

