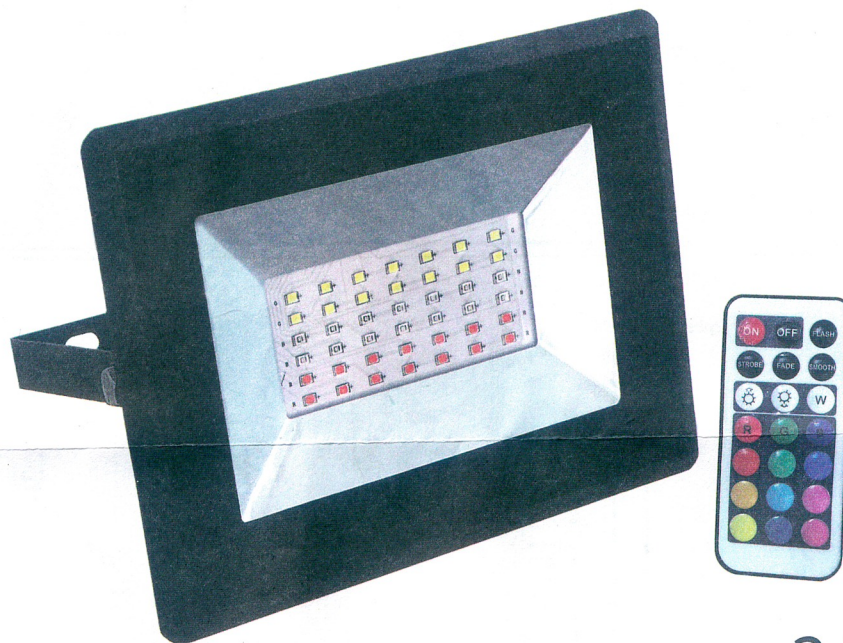


## INSTALLATION INSTRUCTION

### LED FLOODLIGHT SERIES

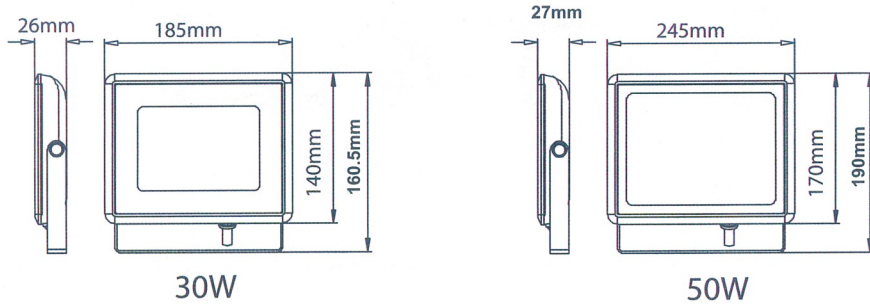


**2 YEARS  
WARRANTY**

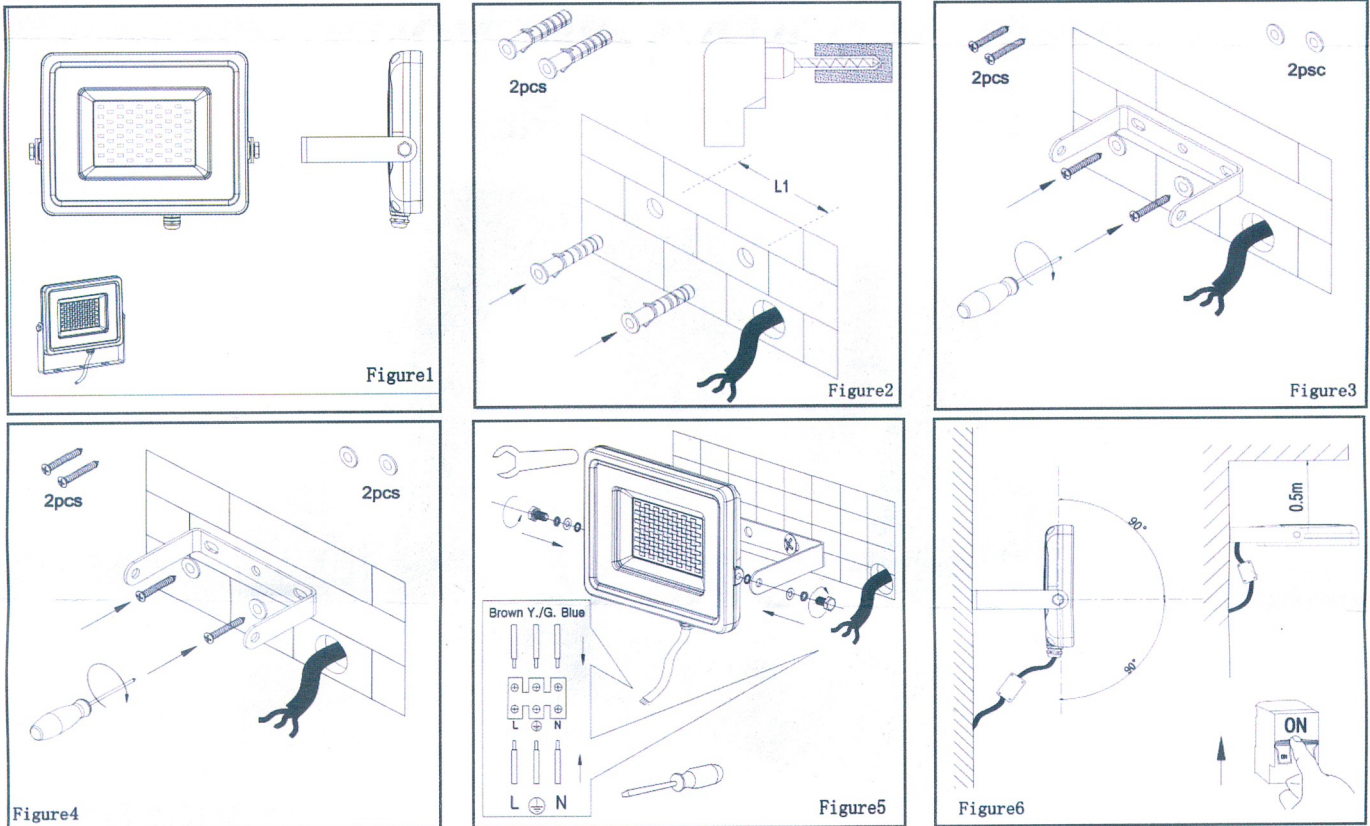
#### TECHNICAL DATA

Model	VT-4932	VT-4952
Watts	30	50
Beam Angle	110°	110°
IP Rating	IP65	IP65
Long Life	20,000 Hours	20,000 Hours
PF	>0.9	>0.9
CRI	>70	>70
Input Power	AC:220-240V,50Hz/60Hz	AC:220-240V,50Hz/60Hz
Operation Temperature	-20°C to +40°C	-20°C to +40°C
Dimension	185*160.5*26	245*190*27
Mounting Height	2-4m	3-5m
Maximum Projected Area	95m <sup>2</sup>	145m <sup>2</sup>
Modes with remote control	Strobe , Fade , Flash , Smooth	
Color	Red , Green , Blue , White	
Usage distance of remote control functions	6m	

## DIMENSION DIAGRAM



## INSTALLATION DIAGRAM



Replace any cracked protective shield. Minimum distance from lighted objects 1m.

### WARNING

1. Please make sure to turn off the power before starting the installation.
2. The light source of this luminaire is not replaceable, when the light source reaches its end of life the whole luminaire should be replaced.
3. If the external flexible cable or cord of this luminaire is damaged, it shall be exclusively replaced by the manufacturer or his service agent or a similar qualified person in order to avoid a hazard.
4. Install only by certified Electrician.
5. Terminal block not included. Installation must be performed by a qualified person.



Caution, risk of electric shock.



This marking indicates that this product should not be disposed of with other household wastes.

### INTRODUCTION & WARRANTY

Thank you for selecting and buying V-TAC product. V-TAC will serve you the best. Please read these instructions carefully before starting the installing and keep this manual handy for future reference. If you have any another query, please contact our dealer or local vendor from whom you have purchased the product. They are trained and ready to serve you at the best. The warranty is valid for 2 years from the date of purchase. The warranty does not apply to damage caused by incorrect installation or abnormal wear and tear. The company gives no warranty against damage to any surface due to incorrect removal and installation of the product. The products are suitable for 10-12 Hours Daily operation. Usage of product for 24 Hours a day would void the warranty. This product is warranted for manufacturing defects only.

### INSTALLATION INSTRUCTION

- DO NOT USE IN AREAS WITH LIMITED VENTILATION OR OUTSIDE THE RATED AMBIENT TEMPERATURE RANGE. \*CONNECT WITH WATERPROOF CABLE HOUSE ONLY. \*ENSURE ELECTRICITY IS SWITCH OFF BEFORE INSTALLATION.
  - Please do not mount to a surface that is prone to vibrations.\*
- Remove the screw and the bracket afterward. (Figure 1) Before drilling, mark the hole position for fixing the bracket onto the wall (Screw not supplied). (Figure 2)
- Screw the retaining bracket to the wall with a suitable quantity of screws. (Figure 3)
  - Mount the bracket back to the fixture. Adjust the floodlight according to the desired position. Tighten the screw. (Figure 4) Connect your main cable (H05RN-F3G1.0mm<sup>2</sup> Recommended) with the input lead of our product through the waterproof junction box. Note, the line (-) of the lead. (Figure 5) (Need to use the junction box of IP65 or above, ensure to tighten the waterproof screw) Switch on the power to make sure if the product is working. Adjust the direction angle as per your preference. (Figure 6)